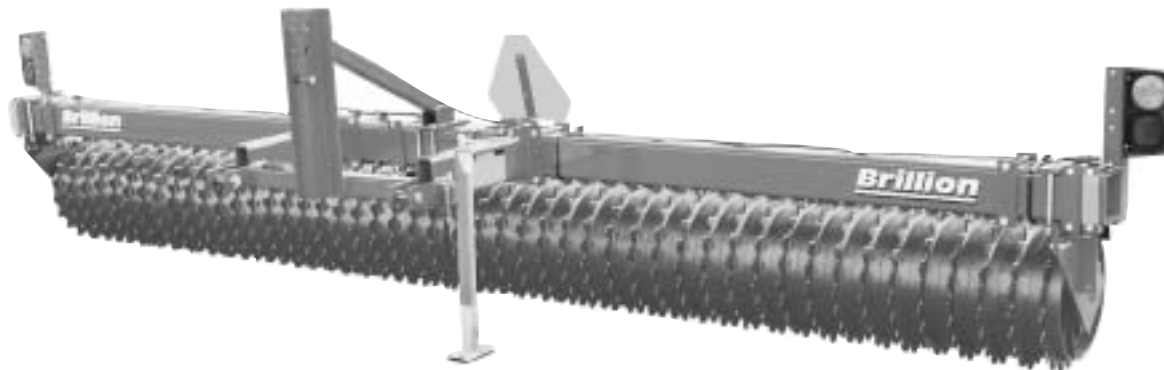


# THREE POINT HITCH PULVERIZERS

The PP Series pulverizer with 6x6 tube construction is designed for use with CAT. II or III, 3-point hitch tractors or drill carriers that offer a three point hitch mounting for optional equipment in front of the drill. (For example Blue-Jet). The PP Series also mounts to the 6K236 Pulverizer Caddie for the Land Commander II. This is a semi-mounted close coupled carrier with castering transport wheels that attaches to the rear of the Land Commander. The primary benefit of the Pulverizer Caddie is improved maneuverability and the ability to easily back into tight locations. The PPD Pulverizers feature **20" Ductile Iron Wheels which carry a Five Year Limited Warranty against breakage. The PPO Pulverizers feature the 20" Optimizer Wheel that is also covered by a Five Year Limited Warranty against breakage.** Safety warning lights are standard equipment. Approximate Set Up Time: 2 hours.



Model No.	Rolling Width	Transport Width	No. Wheels		Style Wheel	Axle Size	Approx. Weight	Suggested List Price
PPD-10	10'	11'	30		20" Ductile Iron	4"	8J-001	1568 lbs.
PPD-12	12'	13'2"	36				8J-001	1792 lbs.
PPD-14	14'	15'2"	42				8J-001	2016 lbs.
PPD-16	16'	17'2"	48			8J-001	2386 lbs.	4 1/2"
PPD-18	18'	19'2"	54			9J-808	2769 lbs.	
PPD-20	20'	21'2"	60			9J-808	3026 lbs.	

## OPTIONAL SCRAPER KITS FOR PPD MODELS

Part No.	Description	Weight	Suggested List Price	Part No.	Description	Weight	Suggested List Price
5K-753	For PPD-10	330 lbs.		5K-756	For PPD-16	168 lbs.	
5K-754	For PPD-12	379 lbs.		5K-757	For PPD-18	196 lbs.	
5K-755	For PPD-14	417 lbs.		5K-758	For PPD-20	212 lbs.	

## OPTIMIZER WHEEL

Model No.	Rolling Width	Transport Width	No. Wheels		Style Wheel	Axle Size	Approx. Weight	Suggested List Price
PPO-10	10'	11'	20		6K-353	4 1/2"	1653 lbs.	
PPO-12	12'	13'2"	24		6K-353	4 1/2"	1997 lbs.	
PPO-14	14'	15'2"	28		6K-353	4 1/2"	2253 lbs.	
PPO-16	16'	17'2"	32		6K-353	4 1/2"	2607 lbs.	
PPO-18	18'	19'2"	36		6K-353	4 1/2"	2921 lbs.	
PPO-20	20'	21'2"	40		6K-353	4 1/2"	3216 lbs.	

## OPTIONAL EQUIPMENT

Part #	Description	Weight	Suggested List Price
5K-977	S-Tine Track Remover Kit	213 lbs.	
6K-406	Rear Hitch Kit for Models PP10-20 (will not fit on PP5, 6, 7 or 8)	135 lbs.	